

Technical Bulletin

Model
911 C2/C4
911 Turbo

Group
3

Subject: 911 Clutch Release Bearing

Part Identifier
3045

Number
9302

ATTENTION: Service Manager/Service Technician

Models Affected: *911 Carrera, 1987-on*
911 Carrera 2/4, 1989-on
911 Turbo, 1991-on

General Information: A new version clutch release bearing and guide sleeve is now available. The new bearing has a polyamide insert which contacts the guide sleeve. The inner diameter of the release bearing and the outer diameter of the guide sleeve are 2mm smaller than the former version. The new version release bearing and guide sleeve has been used in production since November 5, 1992, as of engine number 62P 02375.

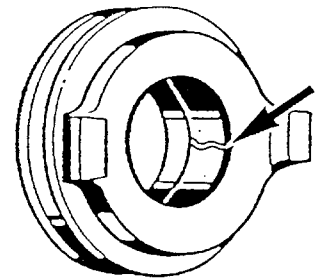
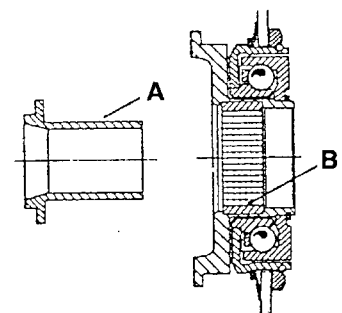


Figure 1

Parts Description: The new version release bearing can be identified by a polyamide insert which is slit (see Figure 1) and an inner diameter of 32mm. The new version guide sleeve can be identified by measuring the outside diameter of the guide sleeve. It measures 31.8mm (see Figure 2).



A Guide Sleeve
B Release Bearing

Release Bearing
32.0mm (formerly 34.0mm)

Guide Sleeve
31.8mm (formerly 33.8mm)

Figure 2

Repair Information: Once existing stock of the former version release bearing and guide sleeve have been depleted, only the new version will be available. **Care must be taken not to mix new version release bearing and guide sleeve with former version release bearing and guide sleeve.**

Important: When installing new version release bearing and guide sleeve, **NO LUBRICATION** should be used on the sliding surfaces of the new version release bearing and guide sleeve.

Parts Information:

Release Bearing	950 116 080 07 (formerly 950 116 080 05)
Guide Sleeve	950 116 813 06 (formerly 950 116 813 10/01)

